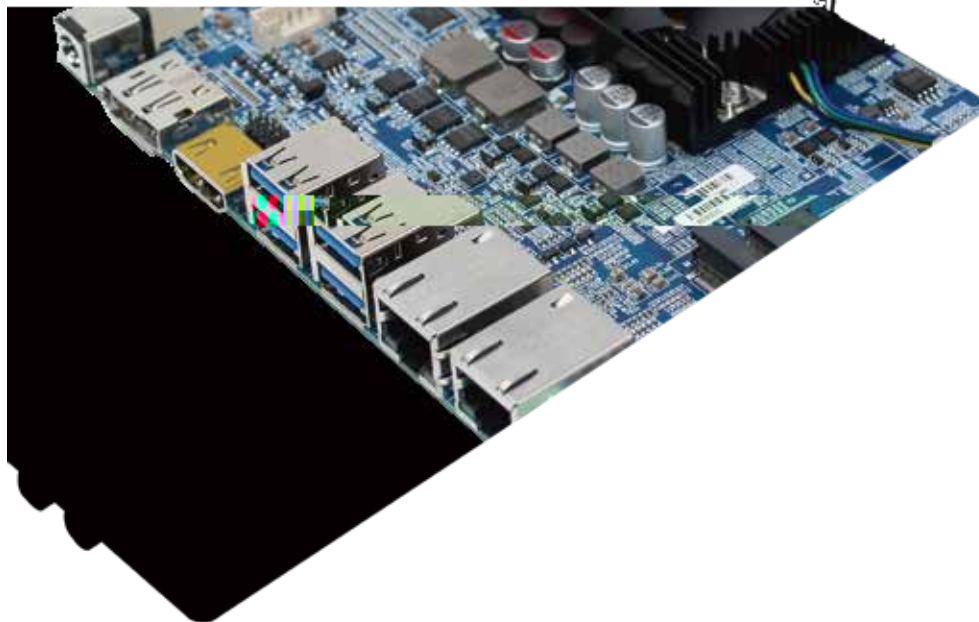
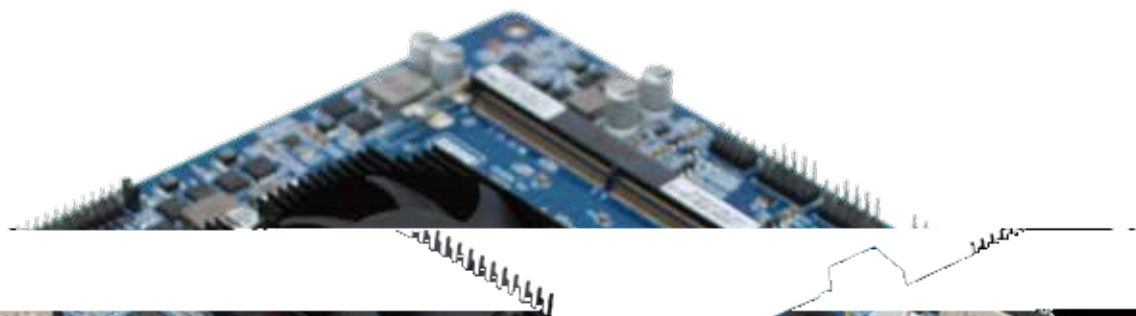


mITX-WL10

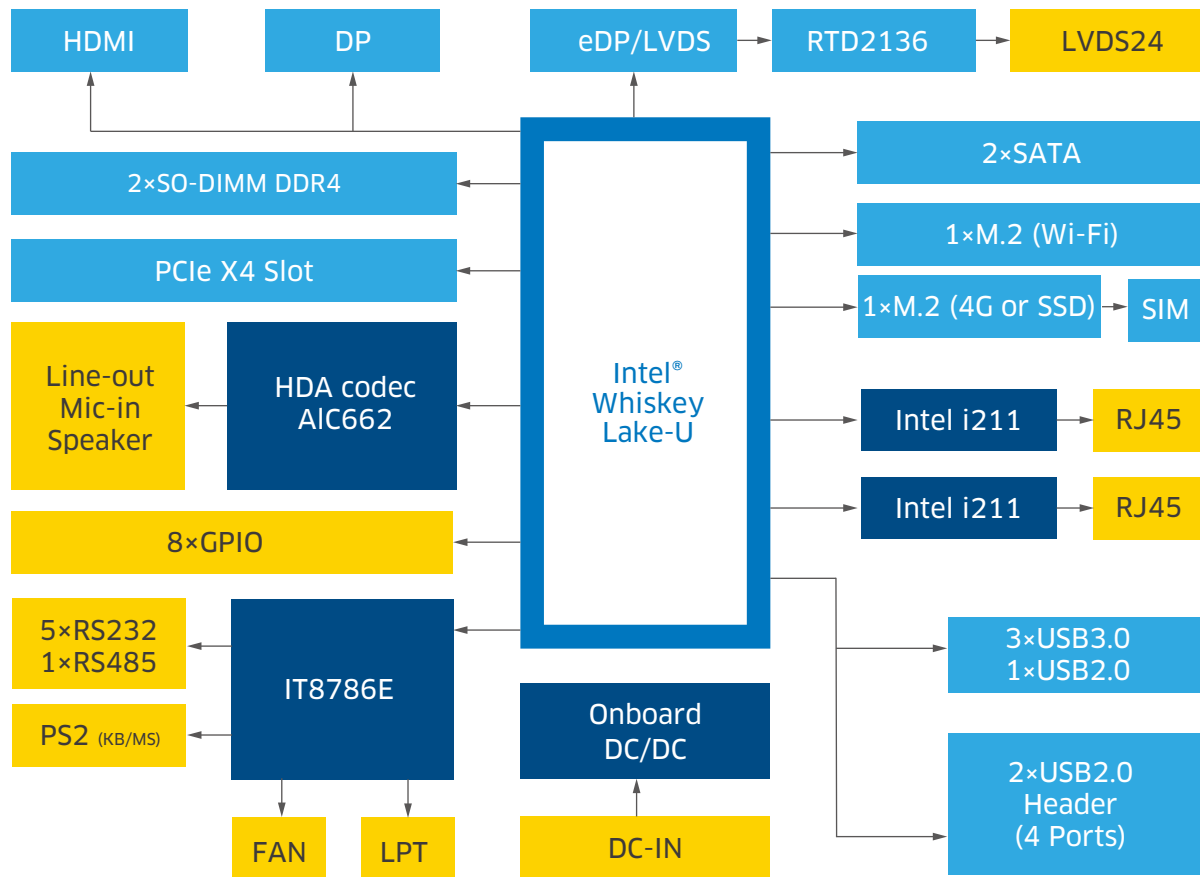
Mini-ITX Intel® Whiskey Lake-U Embedded Motherboard



Intel Whiskey Lake-U Celeron and Core processor



Functional Block Diagram



Ordering Information

Model	CPU	Memory	HDMI	DP	LVDS or eDP	LAN	Audio	RS232	RS485	USB3.0	USB2.0	SATA3.0	M.2	Power	Cooling
DT4205U-A	Celeron 4205U	2xSO-DIMM DDR4	1	1	1	2	Yes	5	1	3	5	1	2	DC-IN	Active
DT8145U-A	i3-8145U	2xSO-DIMM DDR4	1	1	1	2	Yes	5	1	3	5	2	2	DC-IN	Active
DT8265U-A	i5-8265U	2xSO-DIMM DDR4	1	1	1	2	Yes	5	1	3	5	2	2	DC-IN	Active
DT8565U-A	i7-8565U	2xSO-DIMM DDR4	1	1	1	2	Yes	5	1	3	5	2	2	DC-IN	Active
DT8665U-A	i7-8665U	2xSO-DIMM DDR4	1	1	1	2	Yes	5	1	3	5	2	2	DC-IN	Active

Copyright © 2018 Maxtang Technology Co., Ltd. All rights reserved. All data is for information purposes only and not guaranteed for legal purposes. Information has been carefully checked and is believed to be accurate however, no responsibility is assumed for inaccuracies. Maxtang and the Maxtang logo and all other trademarks or registered trademarks are the property of their respective owners and are recognized.