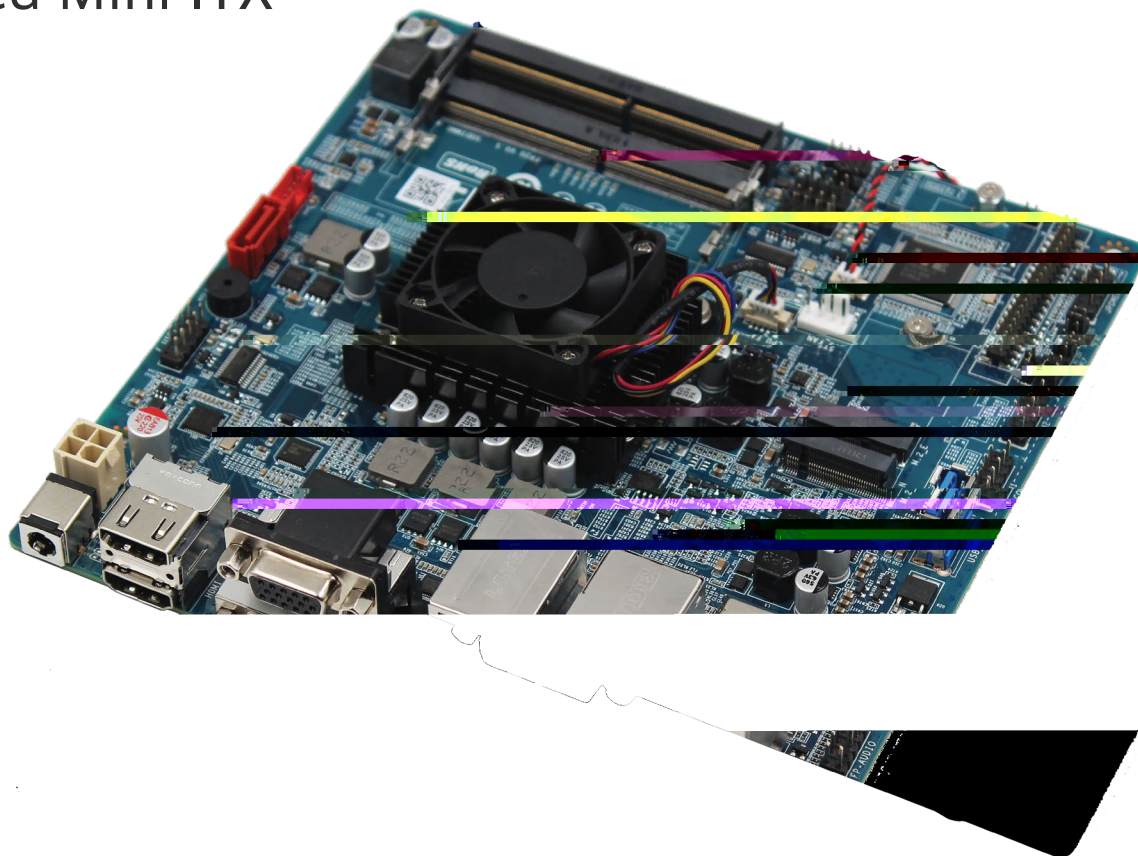


# FP-20

## AMD® Ryzen™ Quad Core Processor V1605B based Mini ITX



### Features

- CPU: Ryzen™ V1605B Quad Core Processor
- Memory: Dual channel SO-DIMM DDR4 up to 32 GB
- Display: Display via 2xHDMI2.0,1xDVI-D,1xVGA
- Ethernet: 10/100/1000Mbps
- Storage: SATA3.0, M.2 2242/2280 SSD NVME(SATA Optional)
- Expansion: 1xM.2 2230 for WiFi
- Power: 12V/19V DC input



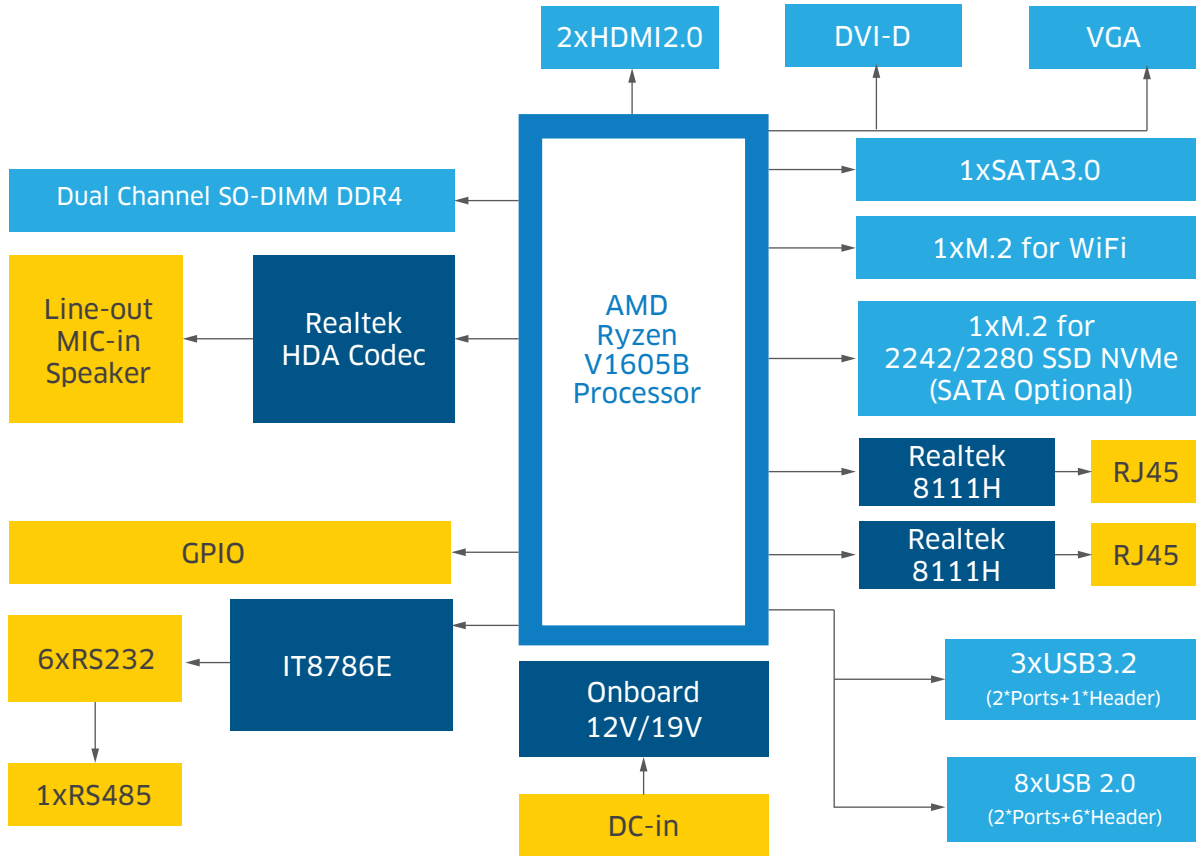
The Maxtang FP20 mini-ITX embedded motherboard is based on the AMD Ryzen™ V1605B (quad-core) and provides a complete PC platform with high performance. Coming from the embedded V1000 processor family and mobile processor family, these CPUs combine the incredible performance of the pioneering “Zen” architecture and “Vega” GPU in a single chip with thermal design power (TDP) as low as 12W/15W. It supports four independent 4K displays, in addition to dual-channel SO-DIMM DDR4 memory.

Features dual 1-Gigabit Ethernet controllers, and M.2 expansion for Wi-Fi and SSD modules. Rich interfaces as 8 x USB2.0, 3 x USB3.2, 1 x Mic-in, 1 x Line-out and Line-in, catering to most requirements in the market. The FP20 is an ideal solution for applications requiring a high-speed

Processor	CPU	V1605B (Quad-Core)		
	Max Boost clock	3.6 GHz		
	Base Clock	2.0 GHz		
	Cache	2MB L2		
	BIOS	AMI SPI BIOS		
Memory	Type	Dual Channel SO-DIMM DDR4		
	Max. Capacity	32GB		
Display	GPU	AMD Radeon Vega Graphics		
	Display via	2xHDMI2.0+1xDVI-D+1xVGA		
Ethernet	Speed	10/100/1000 Mbps		
	Controller	RTL8111H		
	Interface	2xRJ 45		
Audio	Audio codec	Realtek HD		
	Interface	Line-in, Line-out, Mic-in, support audio header, amplifier header		
Hardware	CPU system temperature, onboard voltage, watchdog			
Wireless connectivity	M.2	1xM.2_Key E for Wi-Fi		
Storage	M.2	1xM.2_Key M for 2242/2280 SSD NVMe (SATA Optional)		
	SATA3.0	1		
I/O Interface	LAN	Line-in,	Lineamra9..3	( )-3957.3

\* All specifications and photos are subject to change without notice.

## Functional Block Diagram



## Order Information

Model Name	Description
DTV1605-D	DT AMD V1605B FP20V10 2LAN 6COM 2HDMI+VGA+DVI

\*For customized options, please consult regional sales. And please confirm the model name and description before purchasing. \*The model name and description might vary due to inventory changes.

Copyright © 2018 Maxtang Technology Co. Ltd. All rights reserved. All data is for information purposes only and not guaranteed for legal purposes. Information has been carefully checked and is believed to be accurate however, no responsibility is assumed for inaccuracies. Maxtang and the Maxtang logo and all other trademarks or registered trademarks are the property of their respective owners and are recognized.