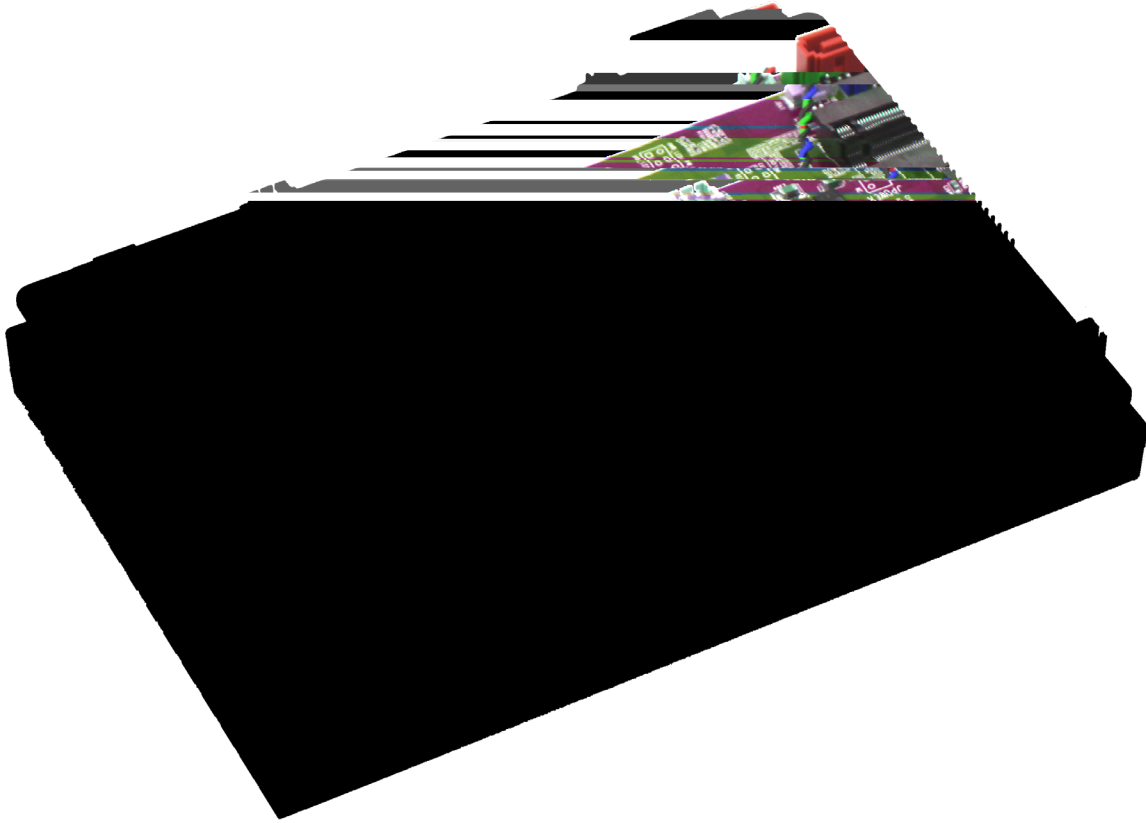


WL-35

Intel® Whiskey Lake/Comet Lake-U based 3.5" Disk Size Motherboard



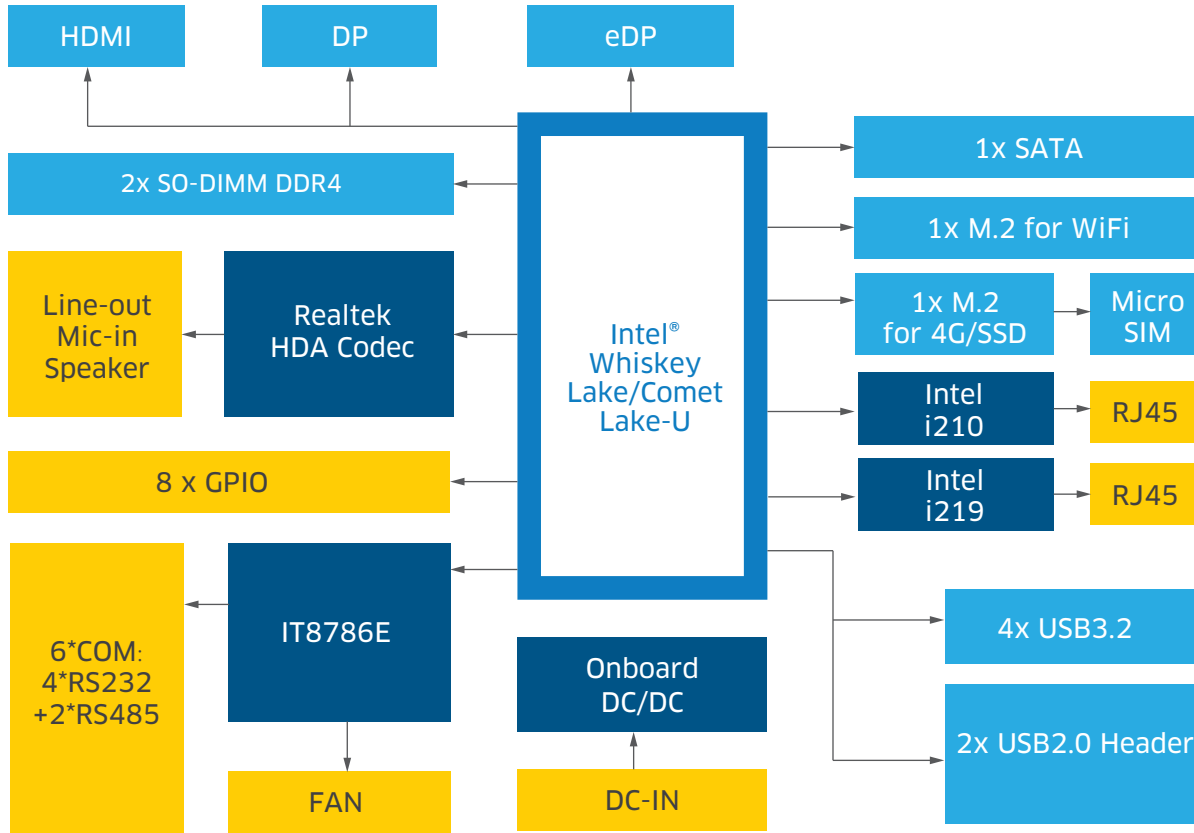
Features

- CPU: Intel® Whiskey Lake/Comet Lake-U Processor
- Memory: Dual channel SO-DIMM DDR4 up to 64 GB
- Display: Integrated Intel® UHD Graphics display via HDMI, DP, eDP
- Ethernet: 10/100/1000 Mbps
- Storage: SATA3.0, M.2 for 2242 SATA/4G
- Expansion: M.2 for WiFi, Micro SIM
- Power: 12V/19V DC input

Technical Specifications

Processor	Comet Lake U	i5-10210U	i3-10110U	
	Base Frequency	1.6 GHz	2.1GHz	
	Max Turbo Frequency	4.2 GHz	4.1GHz	
	Cache	6MB	4MB	
	Whiskey Lake U	i3-8145U	Celeron 4205U	Pentium 5405U
	Base Frequency	2.1GHz	1.8GHz	2.3 GHz
	Max Turbo Frequency	3.9GHz	/	/
	Cache	4MB	2MB	2MB
	BIOS	AMI UEFI BIOS		
	Memory	Type	Dual Channel SO-DIMM DDR4	
Max. Capacity		64GB		
Display	GPU	Integrated Intel® UHD Graphics based on CPU		
	Display via	1xHDMI + 1xDP + 1x eDP		
Ethernet	Speed	10/100/1000 Mbps		
	Controller	Intel® i210 + Intel® i219		
	Interface	2xRJ45		
	Wake on LAN	Yes		
Audio	vPro/AMT	Yes, based on the specified CPU and Intel® i219 ethernet controller		
	Audio Codec	Realtek HD		
	Interface	1xCTIA Audio Jack, support power amplifier header		
Hardware	CPU system temperature, on-board DC-in voltage, watchdog, auto power on			
Storage	M.2	1x M.2 for 2242 SATA SSD/4G Module		
	SATA3.0	1		
Expansion	M.2	1x M.2 for Wi-Fi		
	Micro SIM	1		
I/O Interface	COM	6*COM (4*RS232 + 2*RS485)		
	USB3.2	4		
	USB2.0	2*header		
	GPIO	8		
	LPC	1		
Dimension	Size	146 mm x 102mm		
	Board Type	3.5" Disk Size SBC		
Power	Standard Port	12V/19V DC-in		
	Peripheral Input	For Fan and SATA		
	LED Indicator	Power Indicator		
Temperature	Operating Temp.	-20°C to 60°C		
	Storage Temp.	-40°C to 80°C		
Operating System	Win10 64bit, Linux 64bit			

Functional Block Diagram



Order Information

Model Name	Description
DT4205U-I	DT 3.5INCH Intel Celeron 4205U WL35 2LAN 4*RS232 2*RS485 HDMI+DP+EDP
DT8145U-I	DT 3.5INCH Intel Core i3-8145U WL35 2LAN 4*RS232 2*RS485 HDMI+DP+EDP
DT10110U-I	DT 3.5INCH Intel Core i3-10110U WL35 2LAN 4*RS232 2*RS485 HDMI+DP+EDP
DT10210U-I	DT 3.5INCH Intel Core i5-10210U WL35 2LAN 4*RS232 2*RS485 HDMI+DP+EDP

*For customized options, please consult regional sales. And please confirm the model name and description before purchasing. *The model name and description might vary due to inventory changes.

Copyright © 2022 Maxtang Technology Co. Ltd. All rights reserved. All data is for information purposes only and not guaranteed for legal purposes. Information has been carefully checked and is believed to be accurate however, no responsibility is assumed for inaccuracies. Maxtang and the Maxtang logo and all other trademarks or registered trademarks are the property of their respective owners and are recognized. The terms HDMI, HDMI High-Definition Multimedia Interface, HDMI Trade dress, and HDMI Logos are trademarks or registered trademarks of HDMI Licensing Administrator, Inc.