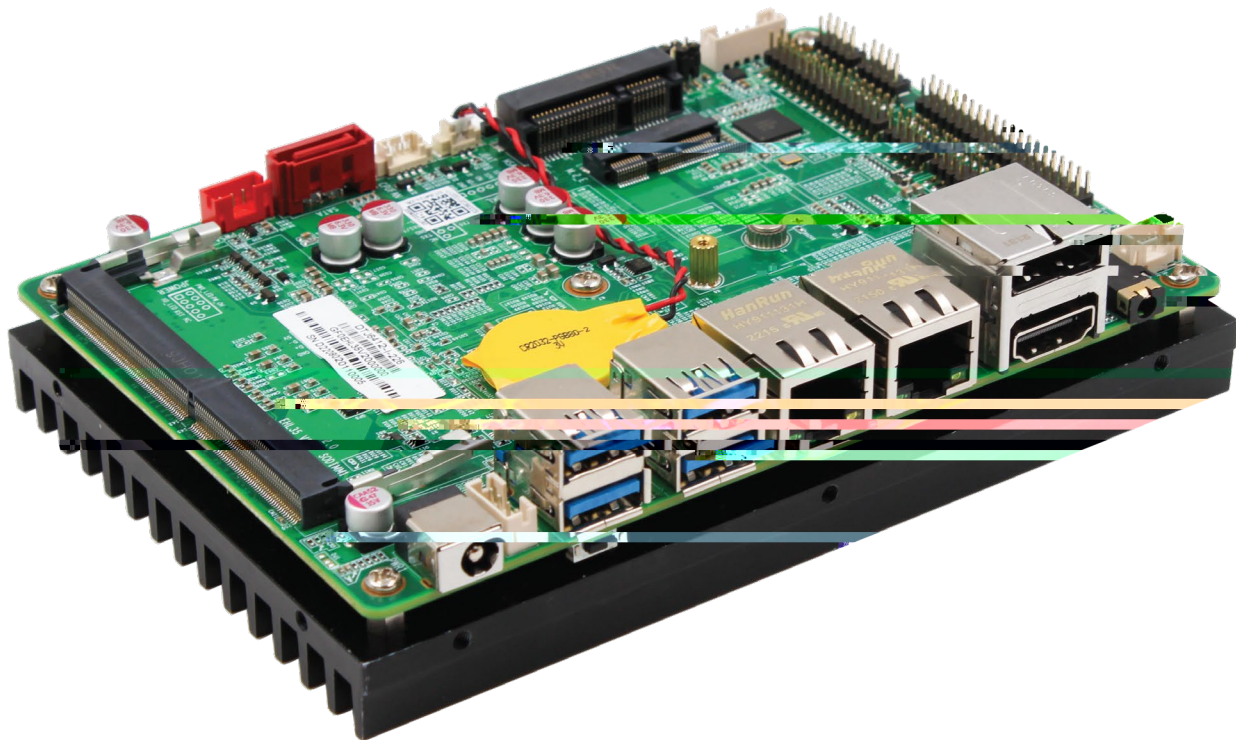


EHL-35V2.0

Intel® Elkhart Lake Processor based 3.5" Disk Size Motherboard

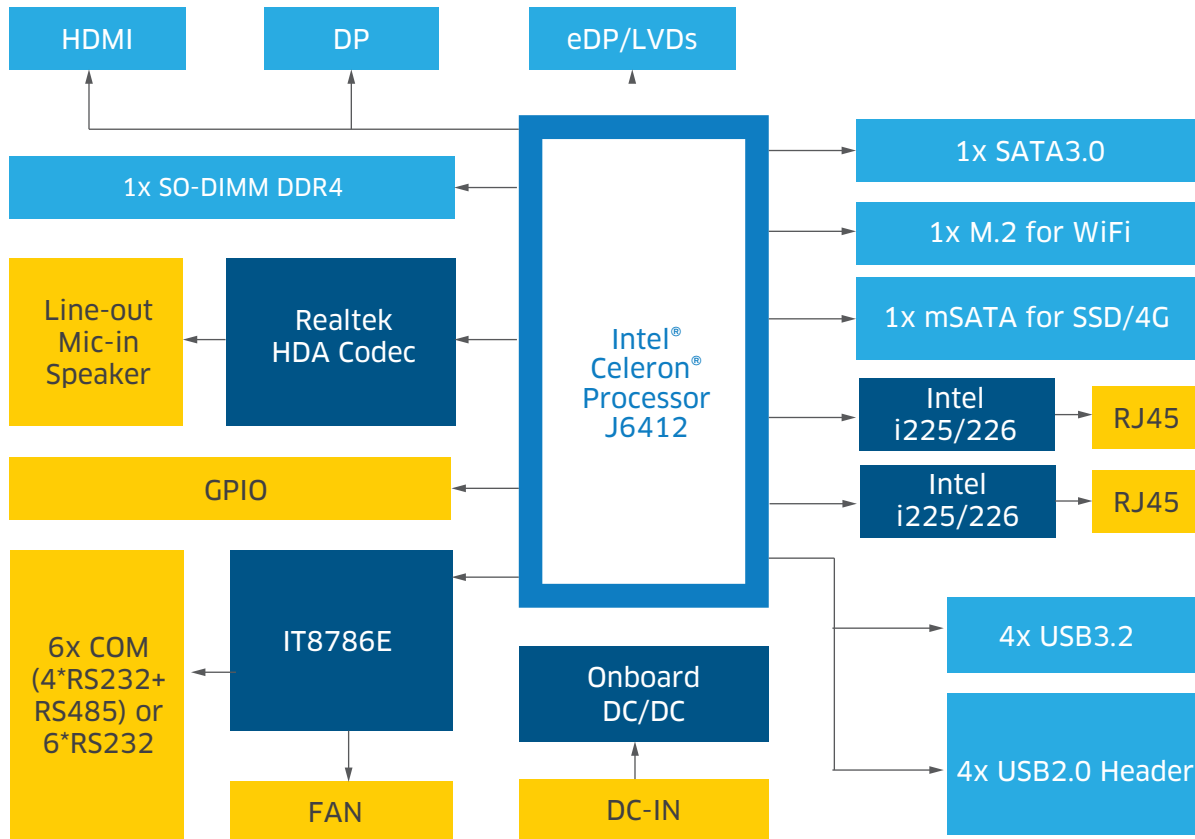


Features

- CPU: Intel® Celeron® Processor J6412
- Memory: Single Channel SO-DIMM DDR4 up to 32GB
- Display: Integrated Graphics display via HDMI, DP, eDP/LVDS
- Ethernet: 10/100/1000/2500Mbps, 2xRJ45, Intel i225/226
- Storage: SATA3.0, mSATA
- Expansion: 1xM.2 for WiFi
- Power: 12V DC input



Functional Block Diagram



Order Information

Model Name	Description
DTJ6412-I-226	DT Intel Celeron J6412 EHL35V2 1DDR4 2LAN(2.5G) 4*RS232 2*RS485 DP+HDMI+LVDS

*For customized options, please consult regional sales. And please confirm the model name and description before purchasing. *The model name and description might vary due to inventory changes.