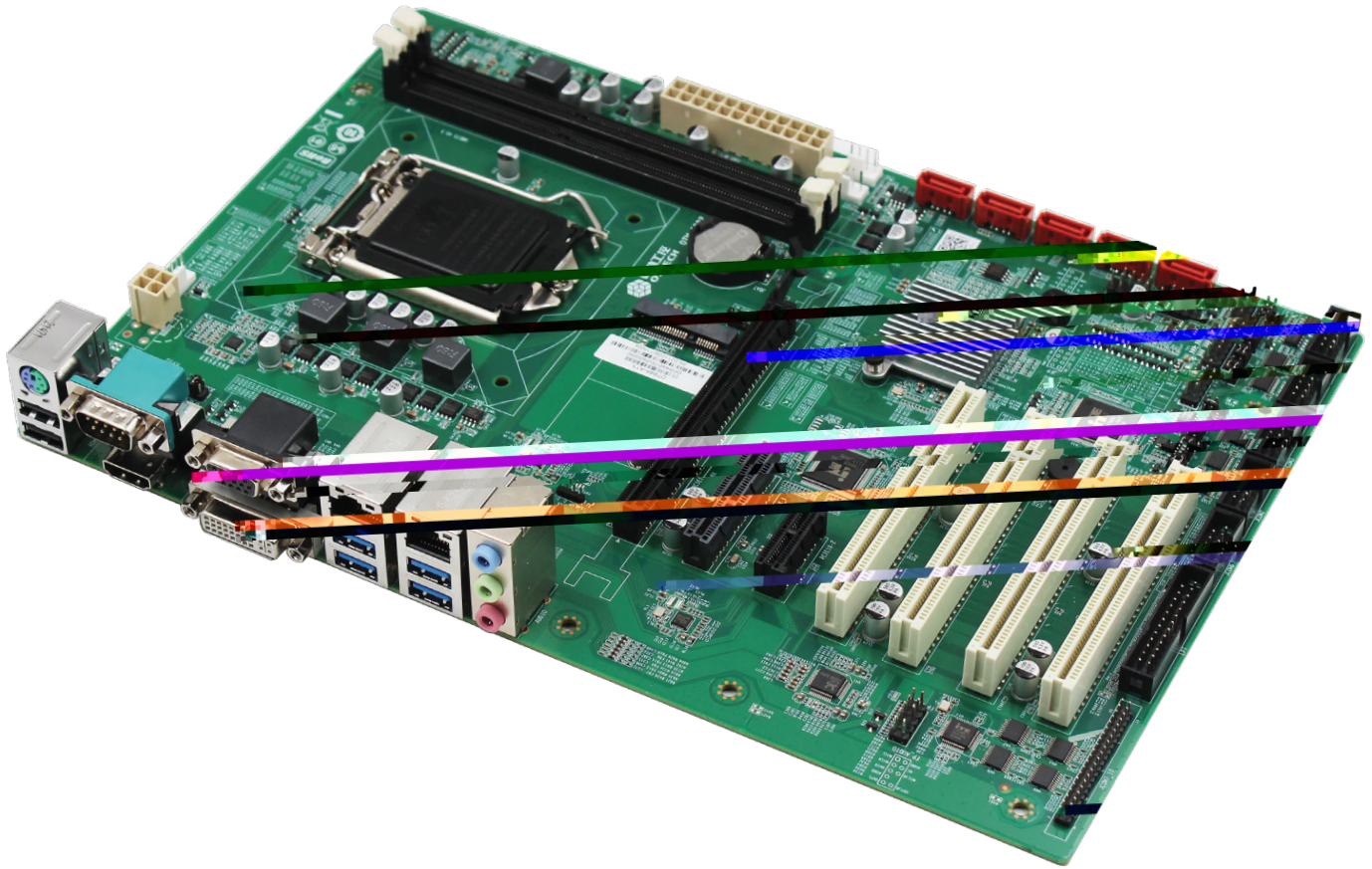


HWD-75

Intel Haswell Processors based Embedded
ATX Motherboard with B85



Features

- CPU: Intel Haswell Processors with B85
- Memory: 2x UDIMM DDR3 Up to 32GB
- Display: Integrated Graphics, Display via HDMI+VGA+DVI
- Ethernet: 10/100/1000 Mbps
- Storage: 1x mSATA, 5xSATA(SATA4,5 are SATA2.0 definition)
- Expansion: PCIe1X, PCIe2X, PCIe16X, PCI
- Power: ATX_24PIN + 4PIN



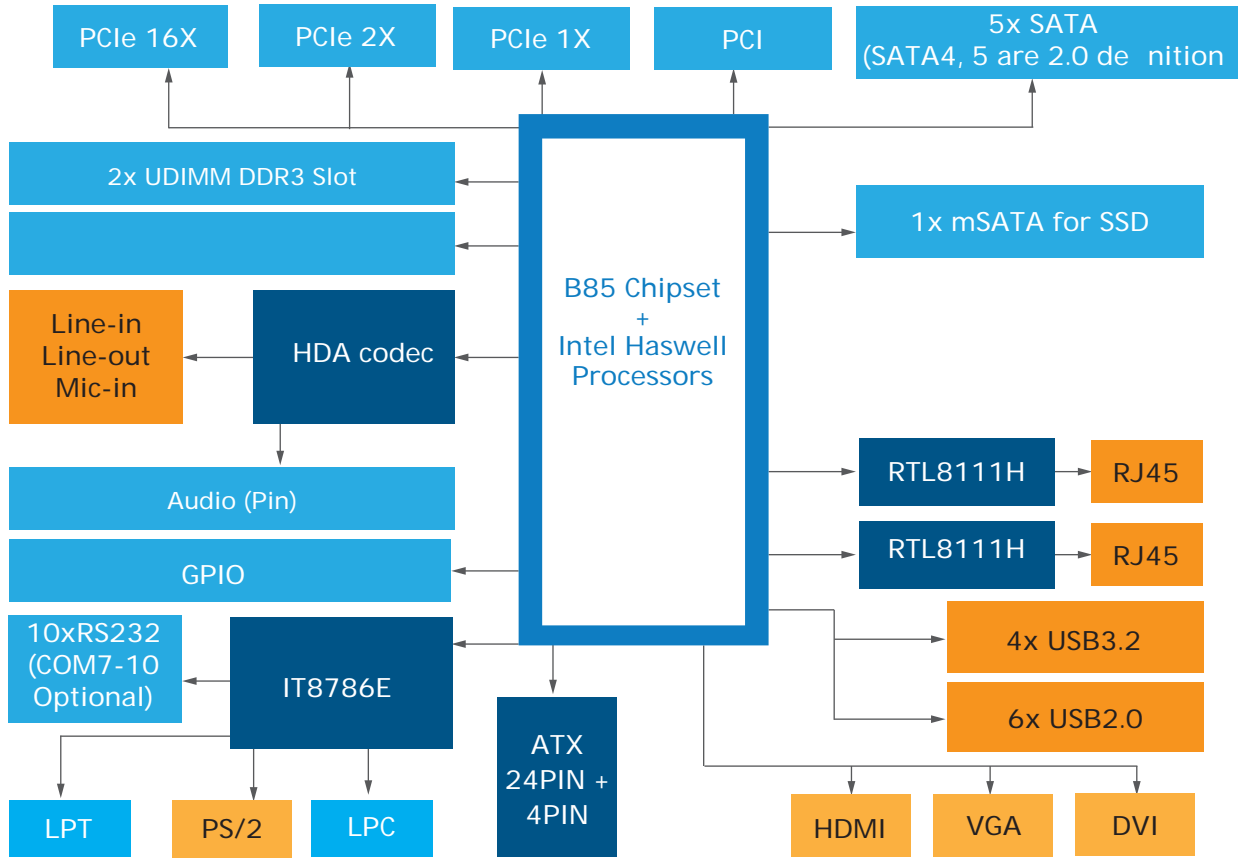
IoT Solutions
Alliance

**Industrial Solution
Builders Specialist**

Maxtang[®]

MAXIMIZING YOUR COMPUTING PRODUCTIVITY

Functional Block Diagram



Copyright © 2018 Maxtang Technology Co. Ltd. All rights reserved. All data is for information purposes only and not guaranteed for legal purposes. Information has been carefully checked and is believed to be accurate however, no responsibility is assumed for inaccuracies. Maxtang and the Maxtang logo and all other trademarks or registered trademarks are the property of their respective owners and are recognized.



MAXIMIZING YOUR

SHENZHEN MAXTANG COMPUTER CO. LTD.

6/F, Bldg 3, Honghui Indl Park, Liuxian 2nd Road, Bao'an Dist, Shenzhen, China 518101

Tel.: +86 755 86143003 | Fax: +86 755 86143003 | sales@datangpc.com

www.maxtangpc.com