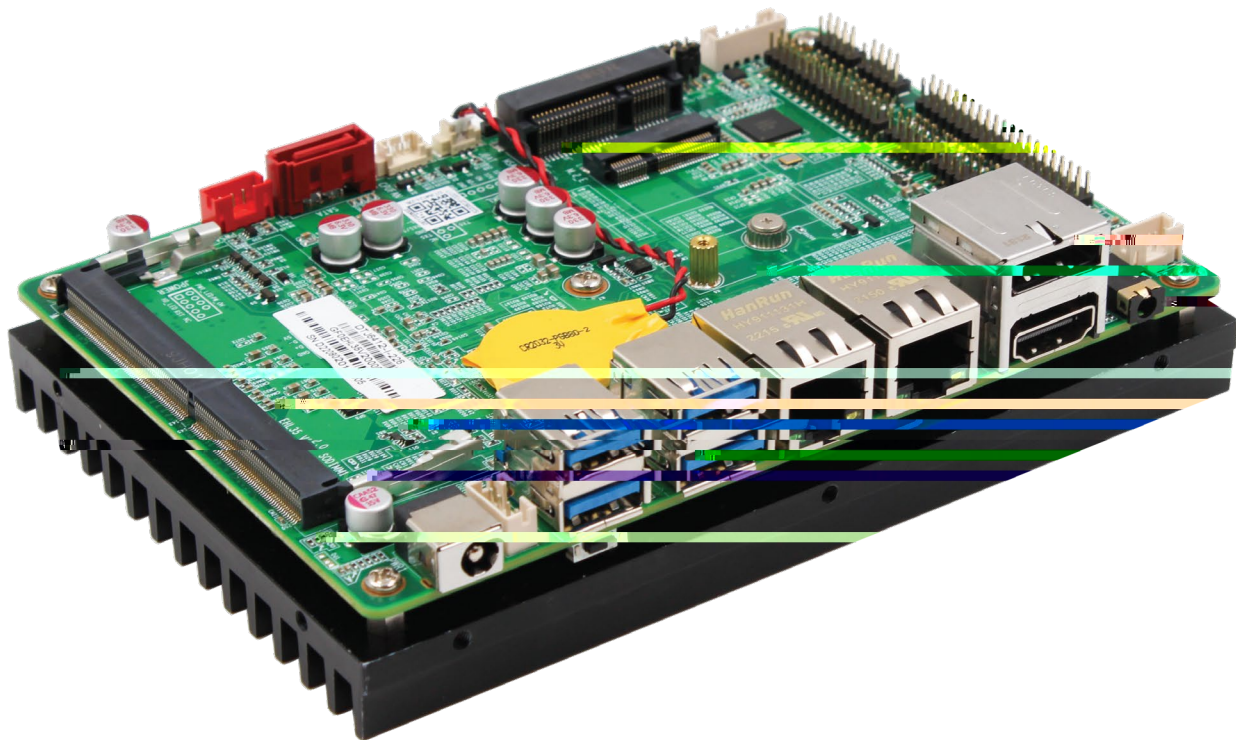


EHL-35V2.0

Intel® Elkhart Lake Processor based 3.5" Disk Size Motherboard



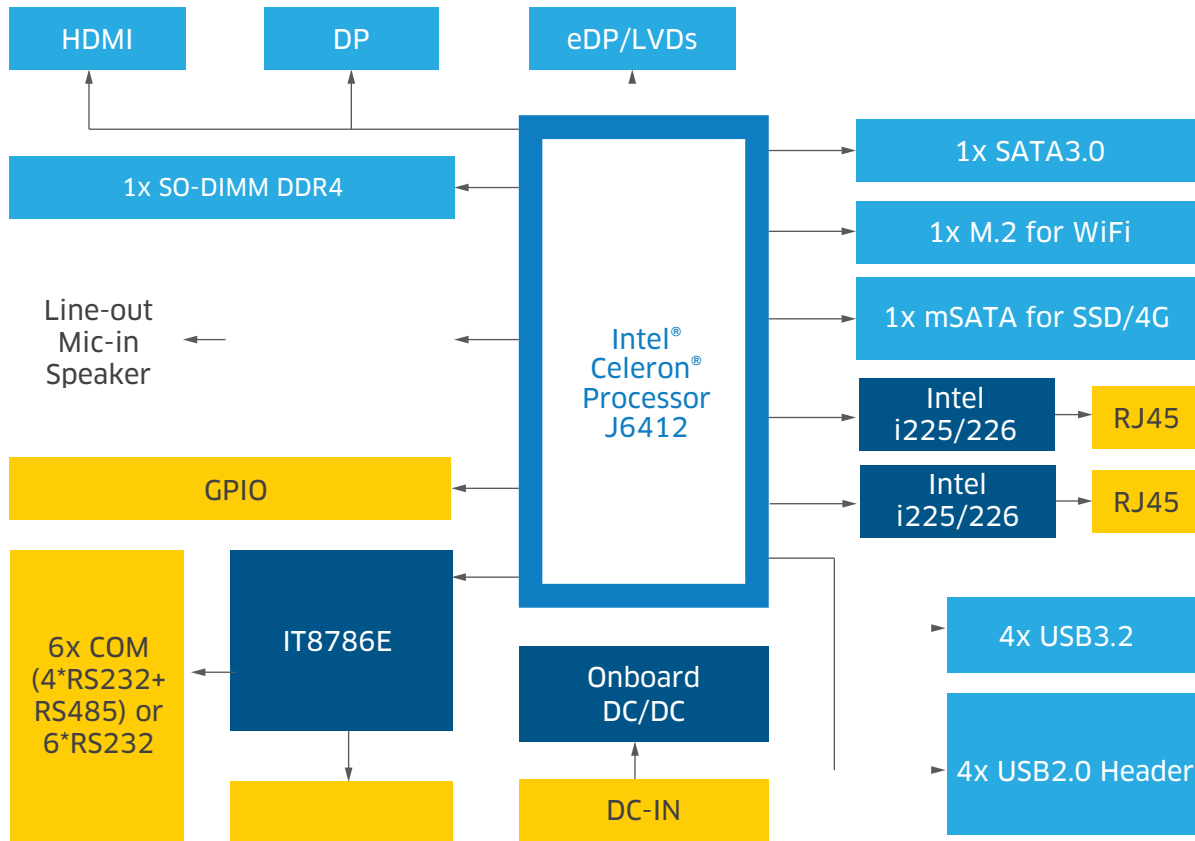
Features

- CPU: Intel® Celeron® Processor J6412
- Memory: Single Channel SO-DIMM DDR4 up to 32GB
- Display: Integrated Graphics display via HDMI, DP, eDP/LVDS
- Ethernet: 10/100/1000/2500Mbps, 2xRJ45, Intel i225/226
- Storage: SATA3.0, mSATA
- Expansion: 1xM.2 for WiFi
- Power: 12V DC input



© 2014. All rights reserved. Subject to change without notice.

Functional Block Diagram



Order Information

Model Name	Description
DTJ6412-I-226	DT Intel Celeron J6412 EHL35V2 1DDR4 2LAN(2.5G) 4*RS232 2*RS485 DP+HDMI+LVDS

*For customized options, please consult regional sales. And please confirm the model name and description before purchasing. *The model name and description might vary due to inventory changes.

Copyright © 2022 Maxtang Technology Co. Ltd. All rights reserved. All data is for information purposes only and not guaranteed for legal purposes. Information has been carefully checked and is believed to be accurate however, no responsibility is assumed for inaccuracies. Maxtang and the Maxtang logo and all other trademarks or registered trademarks are the property of their respective owners and are recognized.