

KL-35

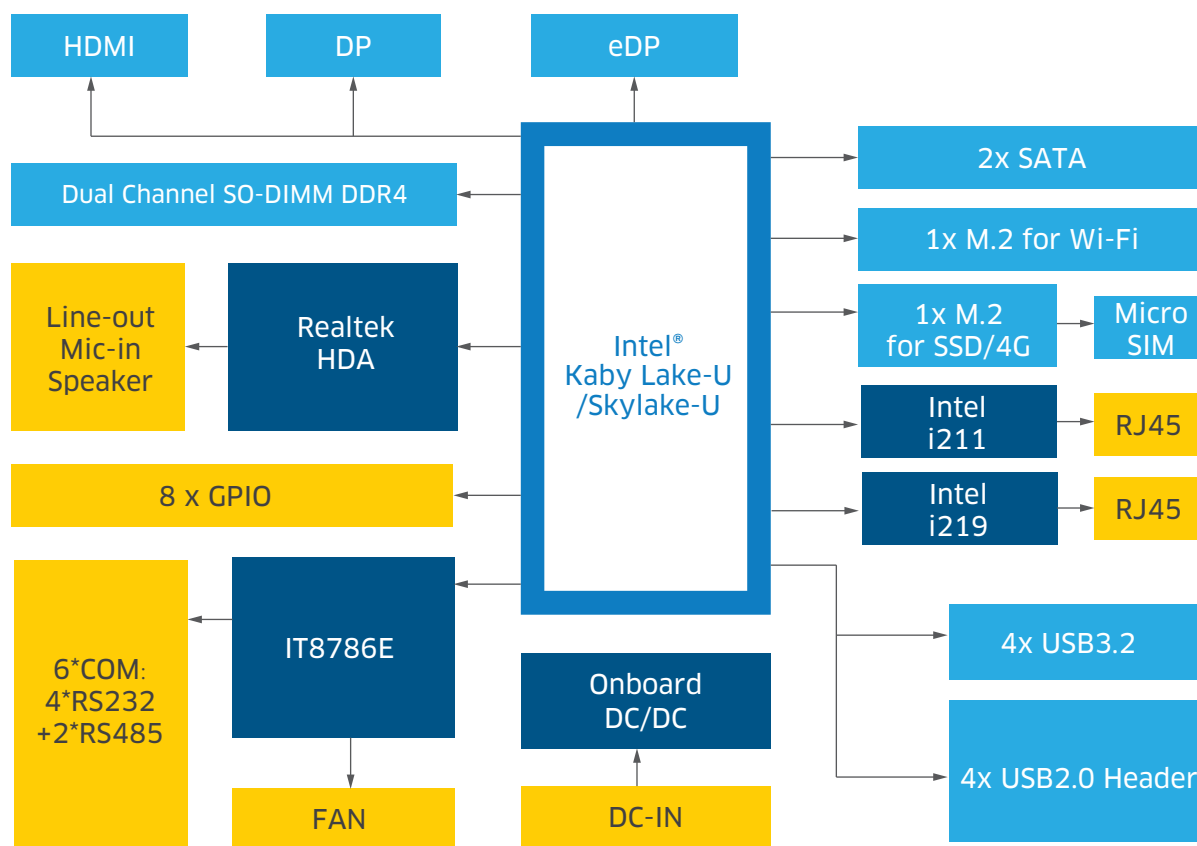
Intel® Kabylake/Skylake-U based 3.5" Disk Size Motherboard



Features

- CPU: Intel® Skylake-U/Kabylake-U BGA processor
- Memory: Dual Channel DDR4 up to 32GB
- Display: Intel® Graphics display via DP, HDMI, eDP/LVDS
- Ethernet: 10/100/1000Mbps
- Storage: SATA3.0, M.2 for 2242 SATA SSD
- Expansion: M.2 for WiFi, Mirco SIM
- Power: 12V/19V DC input

Functional Block Diagram



Order Information

Model Name	Description
DT7200U-I	DT 3.5INCH Intel Core I5-7200U KL35 2LAN 4*RS232 2*RS485 HDMI+DP+EDP

*For customized options, please consult regional sales. And please confirm the model name and description before purchasing. *The model name and description might vary due to inventory changes.

Copyright © 2018 Maxtang Technology Co. Ltd. All rights reserved. All data is for information purposes only and not guaranteed for legal purposes. Information has been carefully checked and is believed to be accurate however, no responsibility is assumed for inaccuracies. Maxtang and the Maxtang logo and all other trademarks or registered trademarks are the property of their respective owners and are recognized.